

Features

- Wide 10V to 65V Operating Input Range
- Output Adjustable from 1.25V to 50V
- Maximum Duty Cycle 100%
- Minimum Drop Out 0.3V
- Fixed 180KHz Switching Frequency
- Maximum 0.8A Switching Current
- Internal Optimize Power MOSFET
- High efficiency
- Excellent line and load regulation
- Built in thermal shutdown function
- Built in current limit function
- Built in output short protection function
- Available in SOP8L package

Applications

- Car Charger
- Battery Charger
- Ebike controller power supply
- Portable instrument power supply
- Telecom / Networking Equipment

General Description

The XL7007 is a 180KHz fixed frequency PWM buck (step-down) DC/DC converter, capable of driving a 0.8A load with high efficiency, low ripple and excellent line and load regulation. Requiring a minimum number of external components, the regulator is simple to use and include internal frequency compensation and a fixed-frequency oscillator.

The PWM control circuit is able to adjust the duty ratio linearly from 0 to 100%. An over current protection function is built inside. When short protection function happens, the operation frequency will be reduced from 180KHz to 36KHz. An internal compensation block is built in to minimize external component count.



Figure1. Package Type of XL7007

0.8A 180KHz 65V Buck DC to DC Converter	XL7007
--	---------------

Pin Configurations

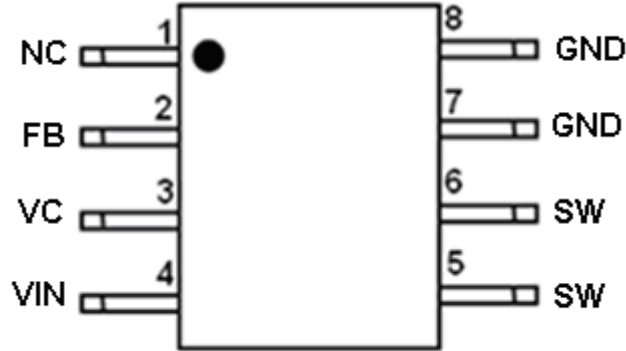


Figure2. Pin Configuration of XL7007 (Top View)

Table 1 Pin Description

Pin Number	Pin Name	Description
1	NC	No connected, hold floating.
2	FB	Feedback Pin (FB). Through an external resistor divider network, FB senses the output voltage and regulates it. The feedback threshold voltage is 1.25V.
3	VC	Internal Voltage Regulator Bypass Capacity. In typical system application, The VC pin connect a 1uf capacity to VIN.
4	VIN	Supply Voltage Input Pin. XL7007 operates from a 10V to 65V DC voltage. Bypass Vin to GND with a suitably large capacitor to eliminate noise on the input.
5,6	SW	Power Switch Output Pin (SW). SW is the switch node that supplies power to the output.
7,8	GND	Ground Pin. Care must be taken in layout. This pin should be placed outside of the Schottky Diode to output capacitor ground path to prevent switching current spikes from inducing voltage noise into XL7007.

Function Block

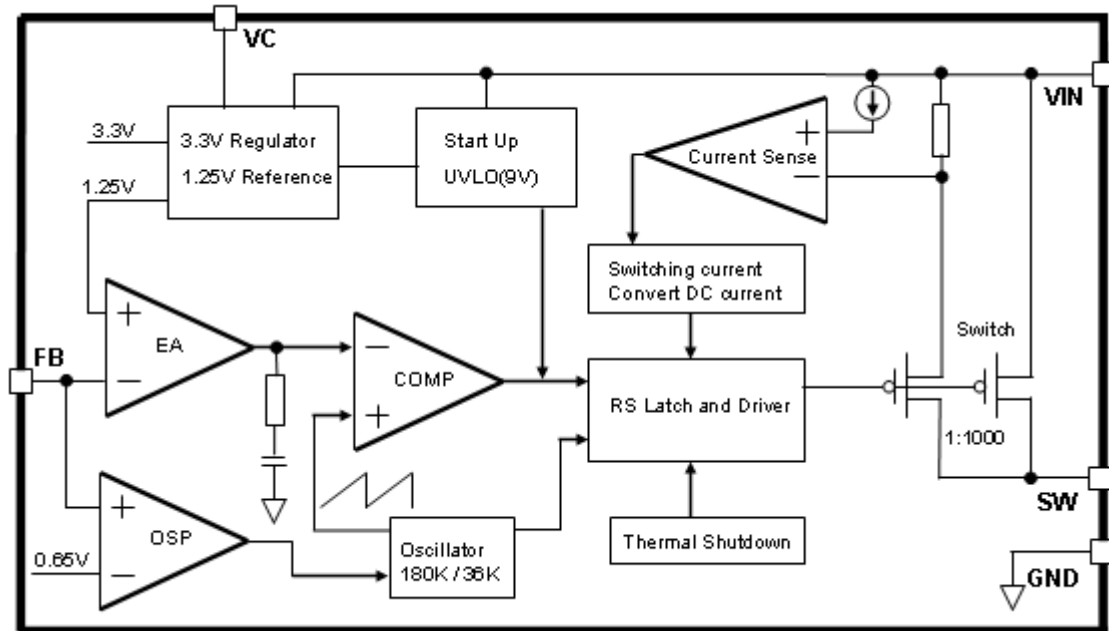


Figure3. Function Block Diagram of XL7007

Typical Application Circuit

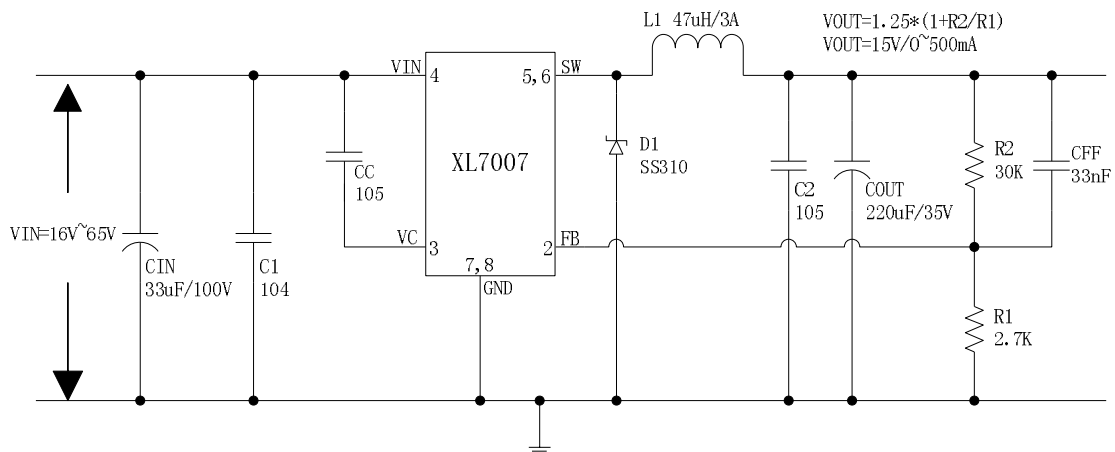


Figure4. XL7007 Typical Application Circuit ($V_{IN}=16V\sim65V$, $V_{OUT}=15V/0.5A$)

0.8A 180KHz 65V Buck DC to DC Converter

XL7007

Ordering Information

Order Information	Marking ID	Package Type	Packing Type Supplied As
XL7007E1	XL7007E1	SOP-8L	2500 Units on Tape & Reel

XLSEMI Pb-free products, as designated with “E1” suffix in the par number, are RoHS compliant.

Absolute Maximum Ratings (Note1)

Parameter	Symbol	Value	Unit
Input Voltage	V_{in}	-0.3 to 70	V
Feedback Pin Voltage	V_{FB}	-0.3 to V_{in}	V
Output Switch Pin Voltage	V_{Output}	-0.3 to V_{in}	V
Power Dissipation	P_D	Internally limited	mW
Thermal Resistance (SOP8L) (Junction to Ambient, No Heatsink, Free Air)	R_{JA}	100	°C/W
Operating Junction Temperature	T_J	-40 to 125	°C
Storage Temperature	T_{STG}	-65 to 150	°C
Lead Temperature (Soldering, 10 sec)	T_{LEAD}	260	°C
ESD (HBM)		>2000	V

Note1: Stresses greater than those listed under Maximum Ratings may cause permanent damage to the device. This is a stress rating only and functional operation of the device at these or any other conditions above those indicated in the operation is not implied. Exposure to absolute maximum rating conditions for extended periods may affect reliability.

0.8A 180KHz 65V Buck DC to DC Converter

XL7007

XL7007 Electrical Characteristics

$T_a = 25^\circ\text{C}$; unless otherwise specified.

Symbol	Parameter	Test Condition	Min.	Typ.	Max.	Unit
<i>System parameters test circuit figure4</i>						
VFB	Feedback Voltage	$V_{in} = 16\text{V to } 65\text{V}, V_{out}=15\text{V}$ $I_{load}=0.1\text{A to } 0.4\text{A}$	1.225	1.25	1.275	V
Efficiency	η	$V_{in}=36\text{V}, V_{out}=15\text{V}$ $I_{out}=0.5\text{A}$	-	90	-	%
Efficiency	η	$V_{in}=48\text{V}, V_{out}=15\text{V}$ $I_{out}=0.4\text{A}$	-	86	-	%

Electrical Characteristics (DC Parameters)

$V_{in} = 48\text{V}$, $GND=0\text{V}$, V_{in} & GND parallel connect a $33\mu\text{f}/100\text{V}$ capacitor; $I_{out}=100\text{mA}$, $T_a = 25^\circ\text{C}$; the others floating unless otherwise specified.

Parameters	Symbol	Test Condition	Min.	Typ.	Max.	Unit
Input operation voltage	V_{in}		10		65	V
Quiescent Supply Current	I_q	$V_{FB} = V_{in}$		3	5	mA
Oscillator Frequency	F_{osc}		144	180	216	KHz
Output Short Frequency	F_{osp}			36		KHz
Switch Current Limit	I_L	$V_{FB} = 0$		1		A
Max. Duty Cycle	D_{MAX}	$V_{FB}=0\text{V}$		100		%
Output Power PMOS	R_{dson}	$V_{FB}=0\text{V}, V_{in}=48\text{V},$ $I_{SW}=0.8\text{A}$		180	210	mohm

0.8A 180KHz 65V Buck DC to DC Converter **XL7007**

Typical System Application (Recommend output current safe work range)

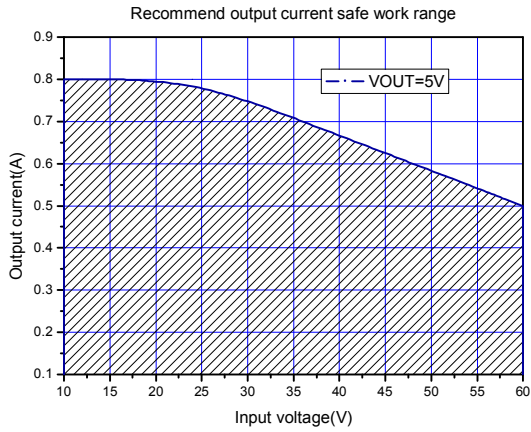


Figure5.Max output current(VOUT=5V)

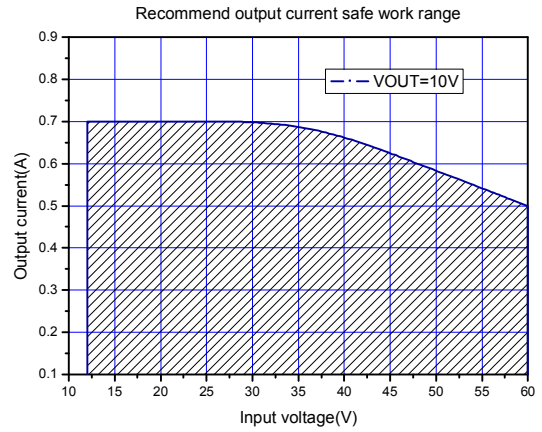


Figure6.Max output current(VOUT=10V)

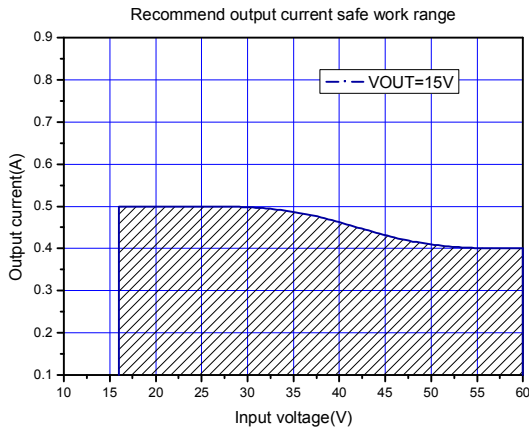


Figure7.Max output current(VOUT=15V)

0.8A 180KHz 65V Buck DC to DC Converter **XL7007**

Typical System Application (VOUT=15V/0.5A)

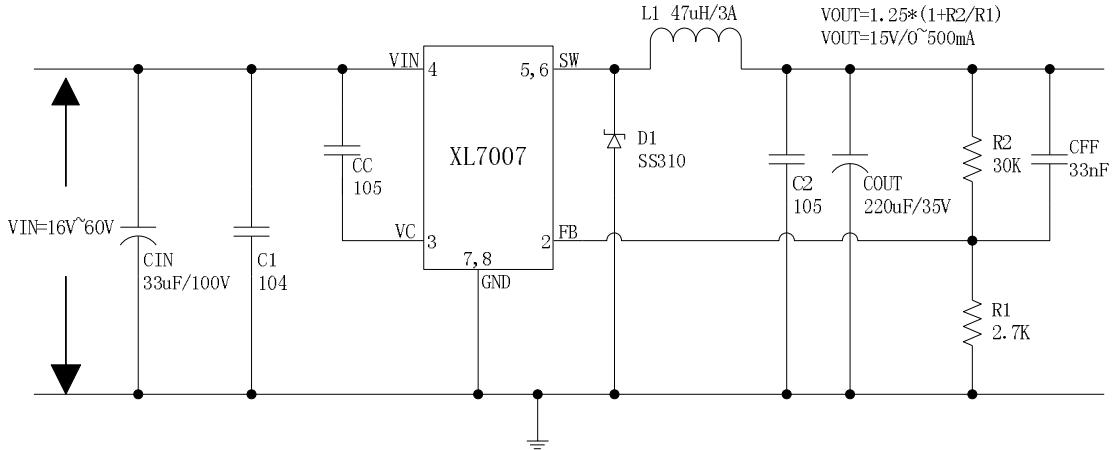


Figure8. XL7007 System Parameters Test Circuit (VIN=16V~60V, VOUT=15V/0.5A)

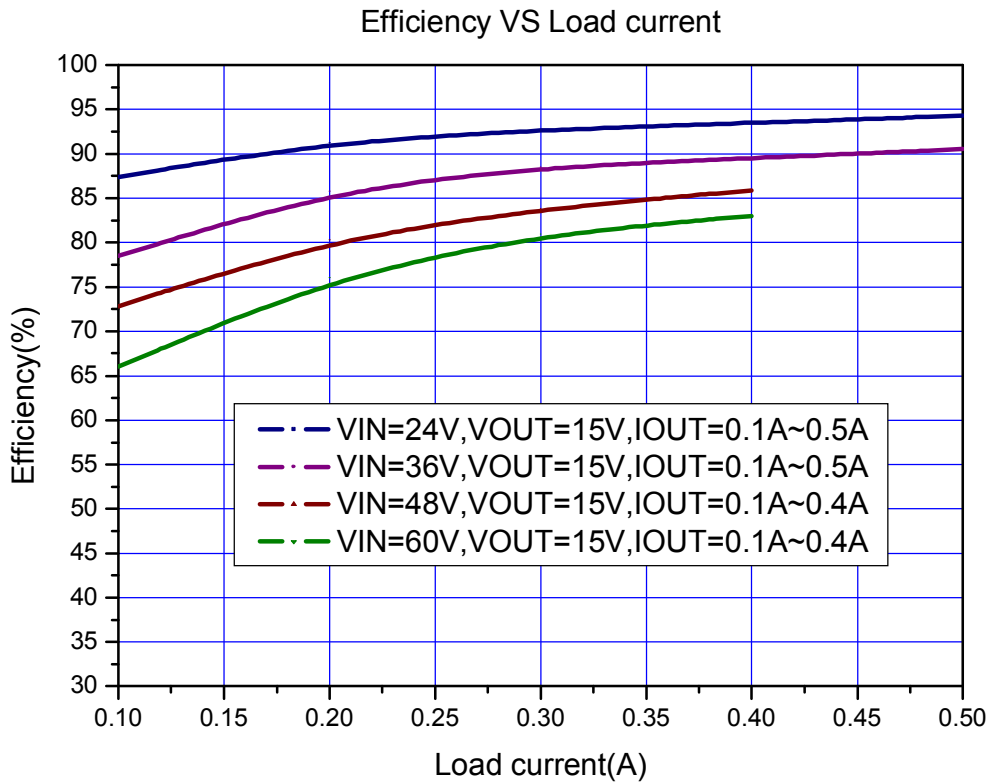


Figure9. XL7007 System Efficiency Curve

0.8A 180KHz 65V Buck DC to DC Converter **XL7007**

Typical System Application (VOUT=10V/0.7A)

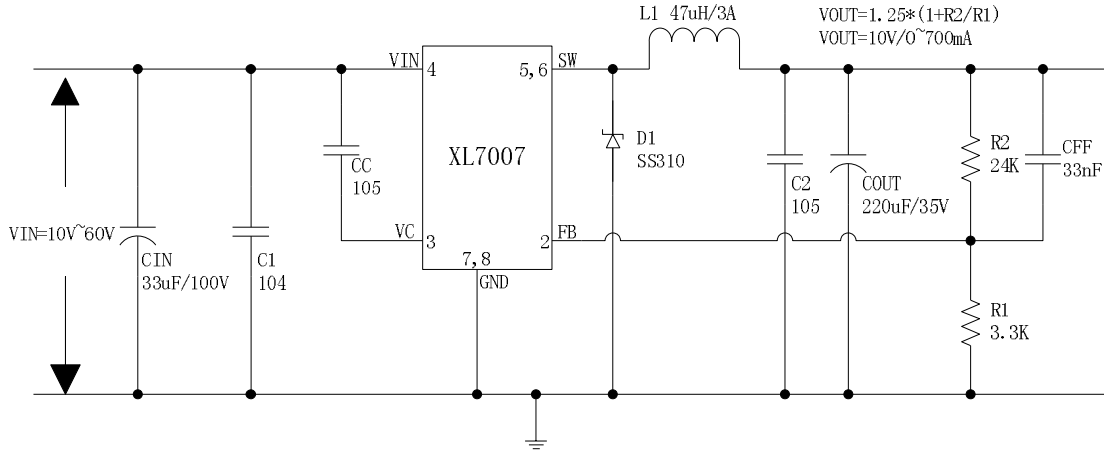


Figure12. XL7007 System Parameters Test Circuit (VIN=12V~60V, VOUT=10V/0.7A)

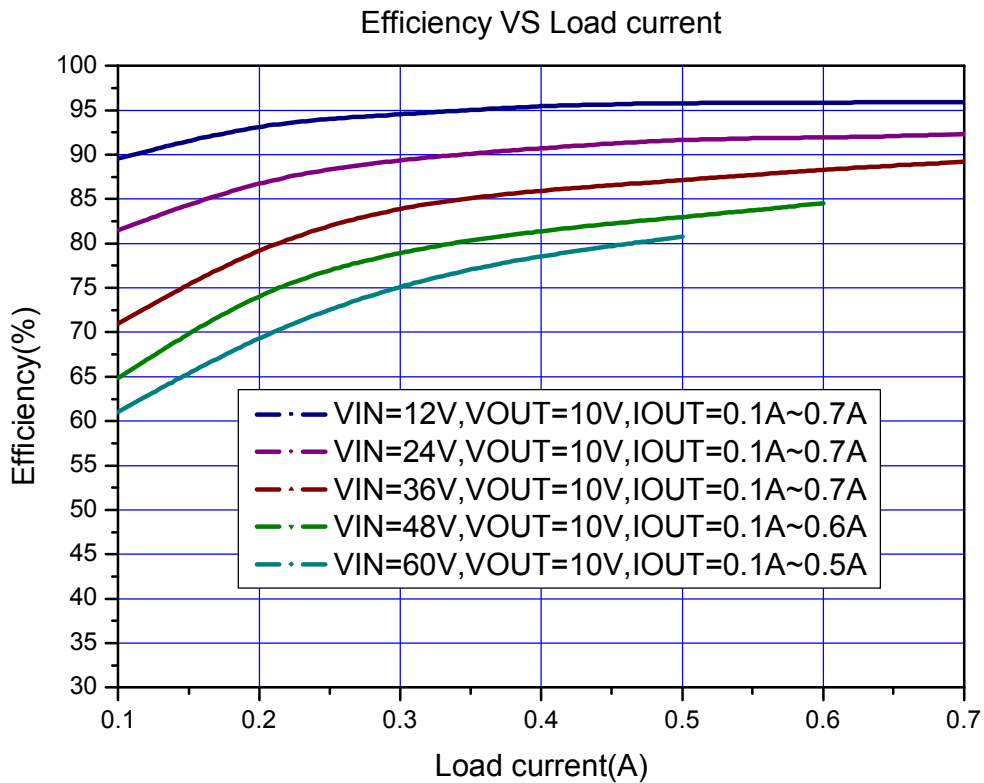


Figure13. XL7007 System Efficiency Curve

Important Notice

XLSEMI reserve the right to make modifications, enhancements, improvements, corrections or other changes without notice at any time. XLSEMI does not assume any liability arising out of the application or use of any product described herein; neither does it convey any license under its patent rights, nor the rights of others. XLSEMI assumes no liability for applications assistance or the design of Buyers' products. Buyers are responsible for their products and applications using XLSEMI components. To minimize the risks associated with Buyers' products and applications, Buyers should provide adequate design and operating safeguards. XLSEMI warrants performance of its products to the specifications applicable at the time of sale, in accordance with the warranty in XLSEMI's terms and conditions of sale of semiconductor products. Testing and other quality control techniques are used to the extent XLSEMI deems necessary to support this warranty. Except where mandated by applicable law, testing of all parameters of each component is not necessarily performed. For the latest product information, go to www.xlsemi.com.